



# PHOTOVOLTAIC BATTERIES

## FLOODED - MONOBLOC

### DEKA SOLAR FLOODED MONOBLOC BATTERIES

are designed to offer reliable, low-maintenance power for renewable energy applications where frequent deep cycles are required and minimum maintenance is desirable.

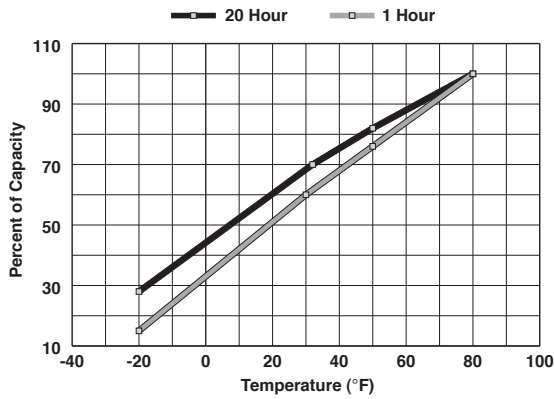
The **DEKA SOLAR FLOODED MONOBLOC** include 3 cell (6 volt) and 6 cell (12 volt) photovoltaic batteries.



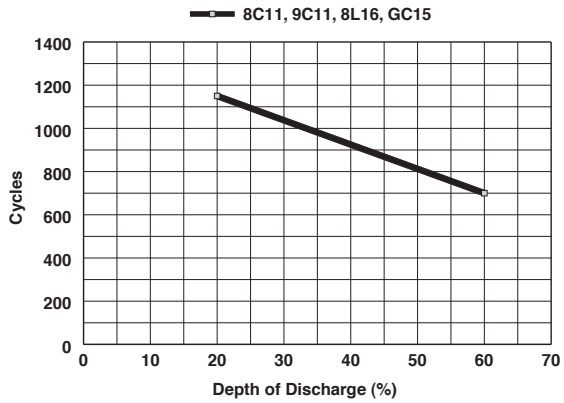
### FEATURES & BENEFITS

Case and Cover	Heat sealed, lightweight, crack resistant, molded high impact polypropylene.
Separators	Microporous polyethylene envelopes/separators
Retainers	20 mil glass mat (DC27- 10 mil).
Positive and Negative Plate	Antimony flat plate
Specific Gravity (fully charged)	1.275 @ 25°C (77°F).
Cell Connections	TP welded (through partition)
Vents	Individual quarter - turn bayonet vent cap (DC27 - removable pod vents, 3 cells per vent)
Self discharge	1% per week
Cycle life for 8C11, 9C11, 8L16, GC15	700 cycles @ 60% DOD, 1150 cycles @ 20% DOD (Number of cycles based on 75 amp discharge to 1.75 vpc @ 32°C (90°F))
Cycle life for DC27	200 cycles @ 80% DOD, 900 cycles @ 20% DOD (Number of cycles based on 25 amp discharge to 1.75 vpc @ 29°C (85°F))

### Capacity vs. Temperature



### Depth of Discharge vs. Cycles



TYPE NO.		FOOTNOTES	PERFORMANCE		QUARTS (LITERS) OF ACID	APPROXIMATE WEIGHT lbs. (kgs.)		MAXIMUM OVERALL DIMENSIONS inches (mm)		
WET	DRY		20 AMP HR. RATE	6 AMP HR. RATE		WET	DRY	L	W	H
<b>6-VOLT SOLAR FLOODED MONOBLOC</b>										
8C11	8C11D	4,11,17,19,25,30,34,V	235	190	8 (7.6)	66.5 (30.2)	48 (21.8)	11½ (298)	7 (178)	11½ (292)
9C11	9C11D	4,11,17,19,25,30,34,V	250	210	7½ (7.1)	73 (33.1)	52½ (23.8)	11½ (298)	7 (178)	11½ (292)
8L16	8L16D	4,11,17,19,25,30,34,W	370	295	11½ (10.9)	113 (51.3)	83 (37.6)	11½ (298)	7 (178)	16½ (419)
GC15	GC15D	4,11,30,34,U	215	178	—	63 (28.6)	44 (20)	10½ (260)	7½ (181)	10½ (276)
<b>12-VOLT SOLAR FLOODED MONOBLOC</b>										
DC27	—	11,17,35,U	90	—	—	53 (24.0)	—	12½ (318)	6¾ (171)	9¾ (238)

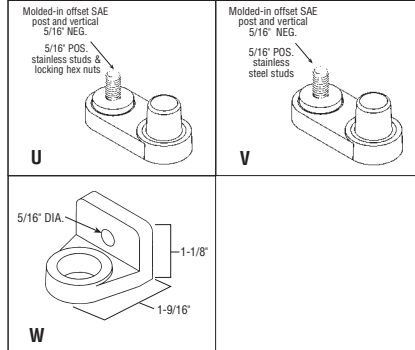
**FOOTNOTES:**

- 4 - Gray Cover / Gray Case
- 11 - Low maintenance-low antimony grids
- 17 - Includes Handle
- 19 - Includes lifting ledges
- 25 - With individual vent caps
- 30 - Available dry-add "D" suffix to part number
- 34 - Ratings after 15 cycles
- 35 - Deduct 15% from CCA and CA rating shown
- U - Molded-in offset SAE post and vertical 5/16" NEG., 5/16" POS. stainless studs & locking hex nuts
- V - Molded-in offset SAE post and vertical 5/16" NEG., 5/16" POS. stainless steel
- W - "L" type terminal w/ 5/16" diameter hole (T882)

All batteries manufactured with polypropylene cases except where noted.

† - **IMPORTANT CHARGING INSTRUCTIONS: WARRANTY VOID IF OPENED OR IMPROPERLY CHARGED.** Do not install in a sealed container. Constant under or overcharging will damage any battery and shorten its life! Use a good constant potential, voltage-regulated charger. **For 6-volt batteries, charge to at least 6.9 volts but no more than 7.05 volts at 68°F (20°C).** The **open circuit voltage** of a fully charged 6-volt battery is 6.4V at 68°F (20°C). However, as the battery charges, the building internal pressure (voltage) causes resistance to the charge. Therefore, the **on-charge voltage** must be higher (at least 6.9V) to overcome this internal pressure (voltage) during charging.

**TERMINAL SELECTION**



QUALITY SYSTEM  
CERTIFIED TO  
**ISO 9001**  
**ISO/TS 16949**  
**ISO 14001**



**"POWERED FOR PERFORMANCE"®**  
**EAST PENN manufacturing co., inc.**

Lyon Station, PA 19536-0147 • Fax: 610-682-4781  
Domestic & International Inquiries Call: 610-682-3263  
www.eastpennunigy.com • e-mail: sales@eastpennunigy.com

E.P.M. Form No. 0919B 6/08  
©2008 by EPM Printed in U.S.A.



Domestic Inquiries Call: 1-800-372-9253  
www.mkbattery.com • e-mail: sales@mkbattery.com

All data subject to change without notice. No part of this document may be copied or reproduced, electronically or mechanically, without written permission from the company.